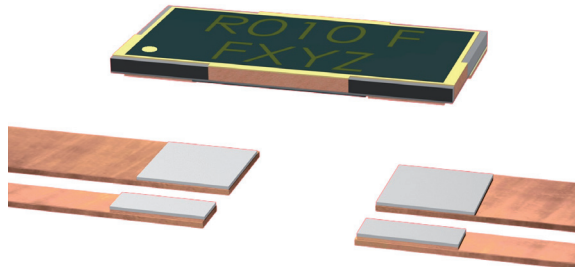




ISA-PLAN® // PRECISION RESISTORS



GMP // Size 2010



Features

- Flip chip assembly
- Au-plated terminals
- 1 W permanent power at 110 °C
- Constant current up to 10 A
- Small size (2010)
- High pulse power rating
- Excellent long-term stability
- Mounting: conductive adhesive
- Resistor with Kelvin connection
- AEC-Q200 qualification
- RoHS 2011/65/EU compliant



Applications

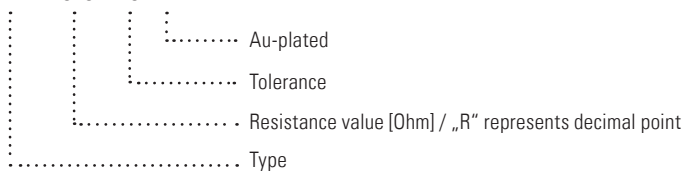
- Current sensor for power hybrid applications
- Control systems for the automotive market
- Power modules
- Frequency converters
- Switch mode power supplies

Technical data

Resistance values	mOhm	10 / 25 / 80
Tolerance	%	1 / 5
Temperature coefficient (20-60 °C)	ppm/K	<50
Applicable temperature range	°C	-65 to +170
Power rating	W	1
Internal heat resistance (R _{thi})	K/W	<60
Dielectric withstanding voltage	V AC/DC	200
Inductance	nH	<2
Stability (Nominal load) deviation after 2000h, T _K = Terminal temperature		<0.5 % (T _K =80 °C) <1.0 % (T _K =110 °C)

Ordering code

GMP - R010 - 1.0 - E

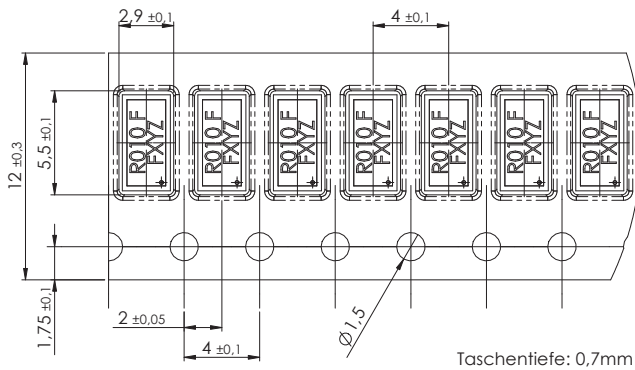
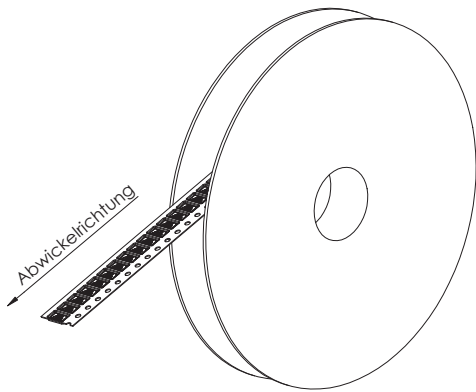




GMP // Size 2010

Tape and reel information

Specification		DIN EN 60286-3
Tape width	mm	12
Reel size	inch	13
Parts per reel	pcs	12500
Packaging weight	g	481



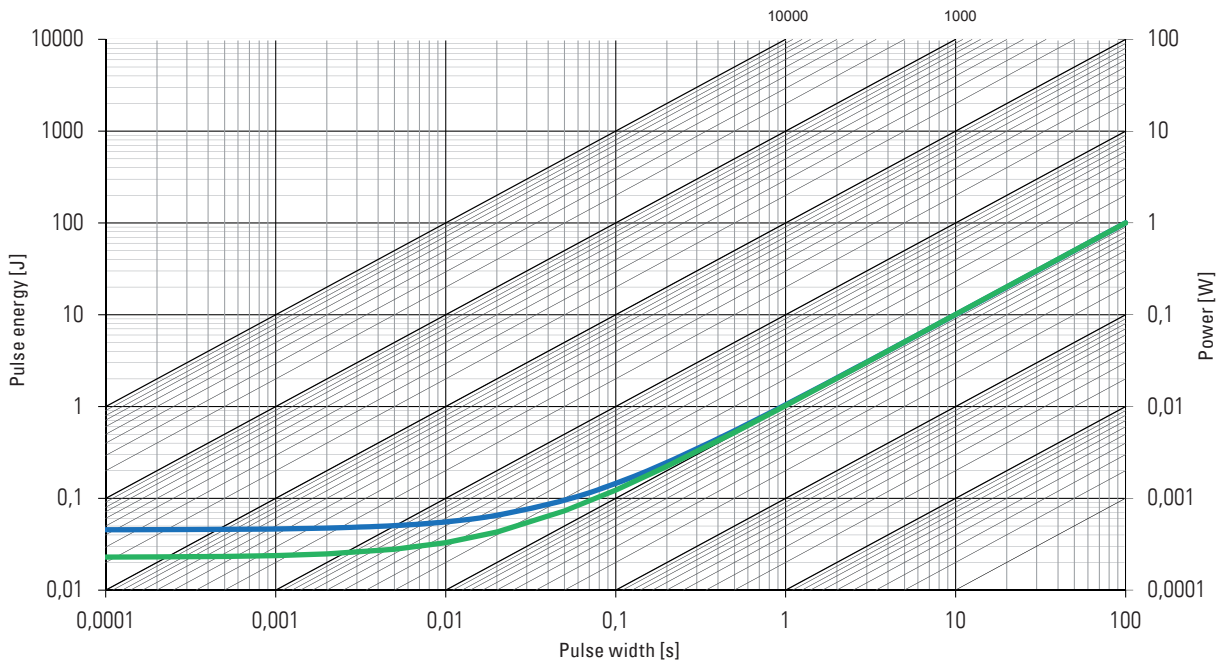
Specification in process (*parts tested at soldered condition)

Parameters	Test conditions	Specified values*
Temperature Cycling	2000 cycles (-55 °C to +150 °C)	±0.5 %
Low Temperature Storage and Operation	-65 °C for 250 h	±0.2 %
Moisture Resistance	MIL-STD-202 method 106	±0.5 %
Mechanical Shock	100 g, 6 ms, 36 pulse	±0.1 % (3 axis)
Vibration, High Frequency	10 g, 10-2000 Hz, 24 h each axis	±0.2 %
Operational Life	2000 h, TK max at nominal load	±1.0 %
High Temperature Exposure	2000 h / 170 °C	±1.0 %
Bias Humidity	+85 °C, 85 r.F., 10 % Bias	±0.7 %



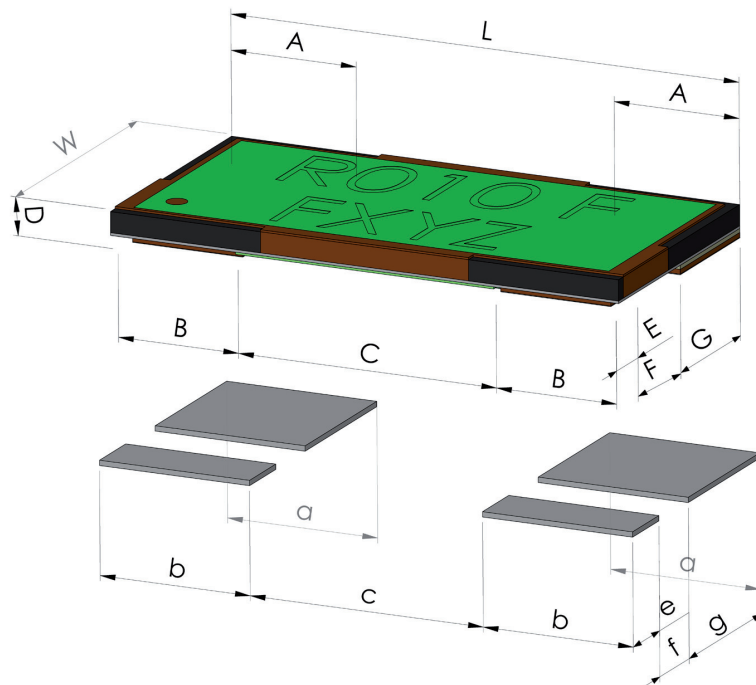
GMP // Size 2010

Maximum pulse energy respectively pulse power for permanent operation



— This curve is valid for the resistance value R010 and R080
 — This curve is valid for the resistance value R025

Mechanical dimensions and pcb-layout proposal (Reflow-soldering) [mm], acc. drawing Z-YF-141



type:	L	W	A	B	C	D	E	F	G
GMP*	5.08	2.54	1.25	1.1	(2.58)	0.37	0.45	(0.69)	1.25

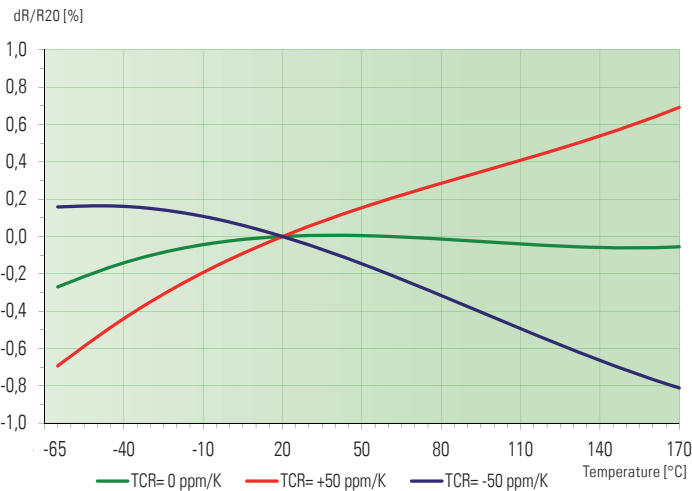
solder pad:	a	b	c	e	f	g
GMP	1.5	1.5	(2.33)	0.5	0.62	1.5

* Detail drawing on request

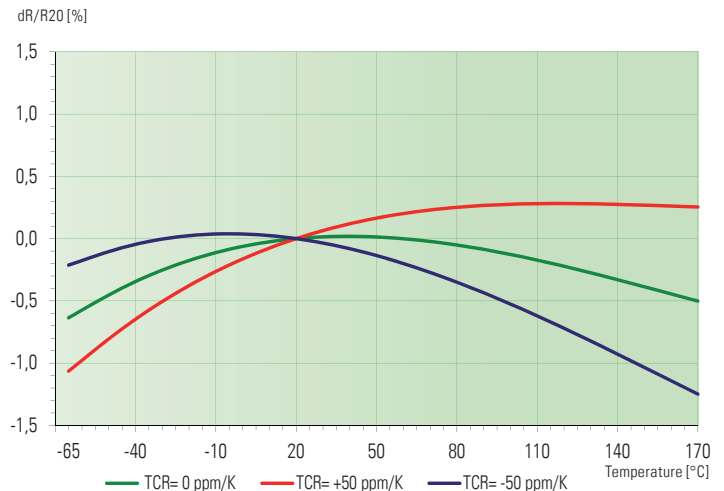


GMP // Size 2010

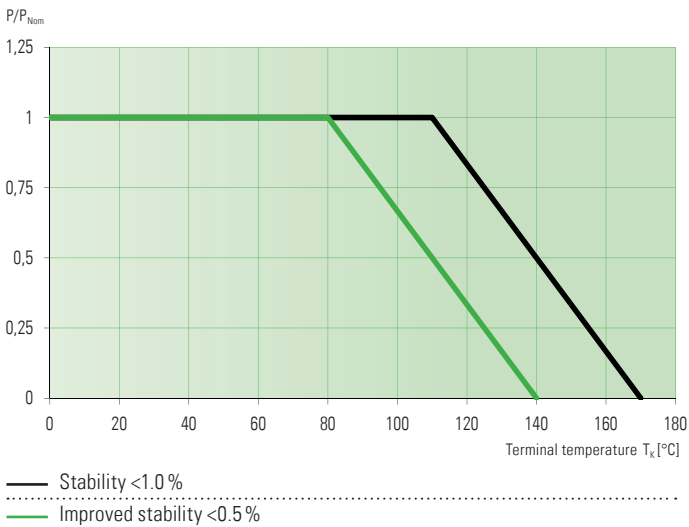
Temperature dependence of the electrical resistance of ZERANIN® for parts with 10 and 25 mOhm



Temperature dependence of the electrical resistance of MANGANIN® for parts with 80 mOhm



Power derating curve



Disclaimer // All products, product specifications and data are subject to change without notice.

The product specifications do not expand or otherwise modify Isabellenhütte's terms and conditions of sale, including but not limited to, the warranty expressed therein. Isabellenhütte makes no warranty, representation or guarantee other than as set forth in its terms and conditions of sale.

Information provided in datasheets and/or specifications may vary from actual results in different applications. Any statements made by Isabellenhütte regarding the suitability of products for certain types of applications are based on its knowledge of typical requirements that are often placed on its products. It is the customer's responsibility to validate that a particular product with the properties described in the product specification is suitable for use in the application intended.

No license, express or implied, or otherwise, to any intellectual property rights is granted by this document.

Any and all liability arising out of the application or use of any product shall be as set forth in Isabellenhütte's terms and conditions of sale.

